



Quick Start Guide

AQUA AIR SERIES

Congratulations on purchasing your Aqua Air
Read this guide to get started to installing and setting your lighting

Aqua Air overview



Aqua Air



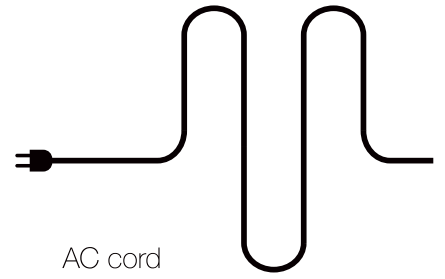
App Controller



Power Supply

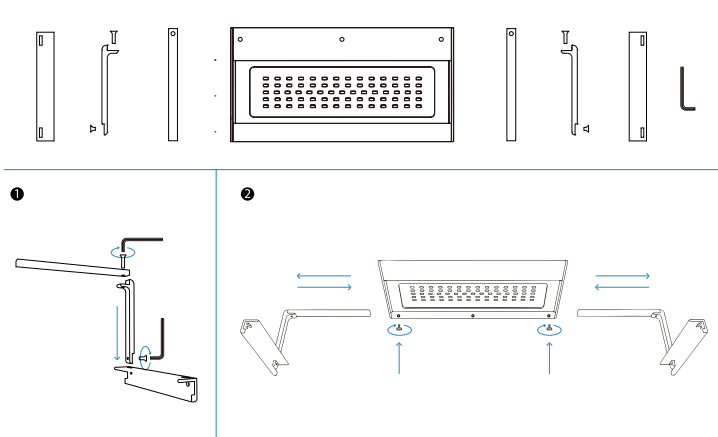


Super Bracket

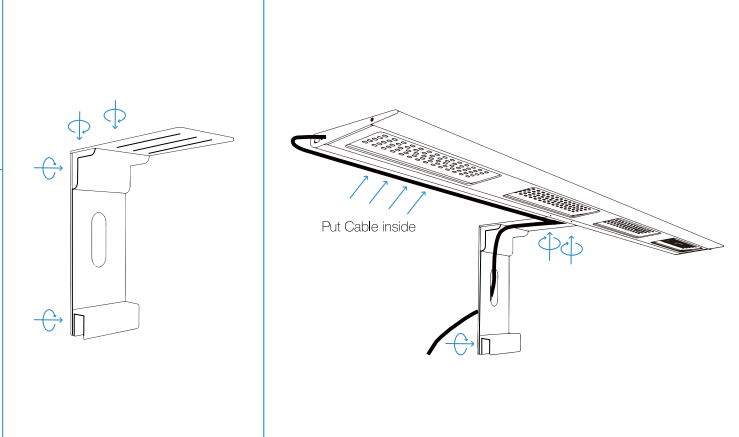


AC cord

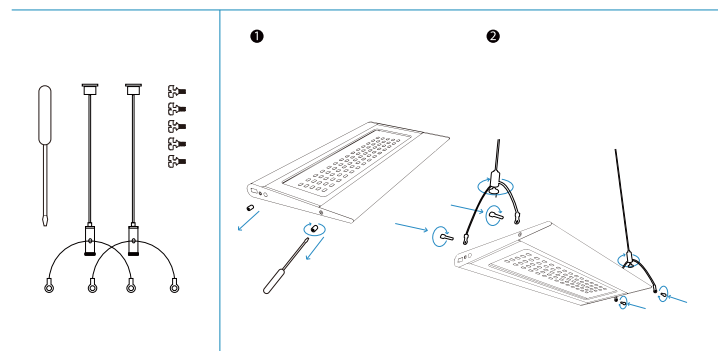
How to install the Bracket. (Standard)



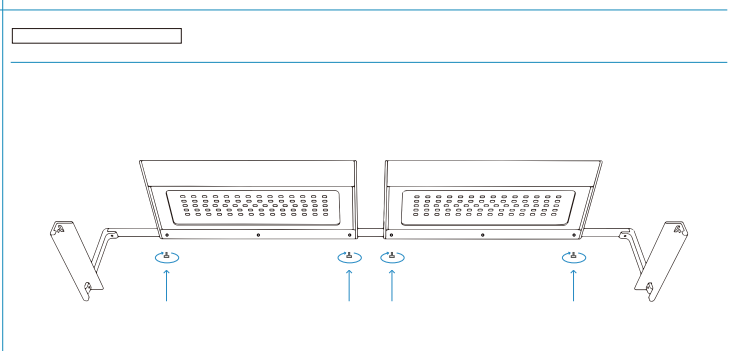
How to install the Pro Stand. (Optional)



How to install the Hanging Kits. (Optional)



How to connect two Aqua Air. (Optional)



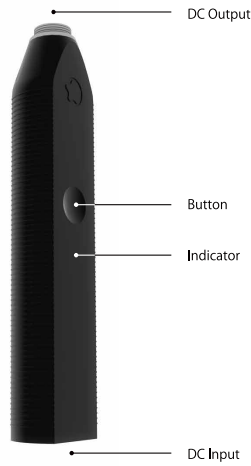
App Controller Overview



Download APP

Compatible with iOS and Android.

Search "iMicMol" from App Store and Google Play to download directly.



| | |
|---------------------------|--|
| Case | Black |
| Connectivity ² | Bluetooth ^{2.4G} + Broadcast ^{2.4G} |
| Dimension | 120*20*20 mm |
| Weight | 0.2 Kg |
| Voltage | DC24V - 1~6A |
| Cable Plug | Standard 5 Pin Waterproof Plug |
| Controls | <ul style="list-style-type: none"> — Hold on 3 Seconds Factory Reset ••• Triple-Press Linkage Mode - Receiver Mode ○ White Flash Waiting for Pairing — White Constant Paired + Device is Online — Red Constant Linkage Mode - Receiver Mode |
| Systems ² | iOS + Android |

Pairing (Please make sure your Bluetooth is turn on.)

- 1
- 2
- 3
- 4
- 5
- 6

Information

ATTENTION: Never put the light and the smart controller in the water. Doing so will dangerous and damage your light.

WARNING: Do not touch the lights body when it working which will generate heat and may let your hands uncomfortable.

WARNING: Make sure all the cables are connected before plug to electricity or will damage your light.

Important Handling Information

NOTICE: Failure to follow these handling instructions could result in damage to your Light or other property.

Carrying your Light before you move your Light, shut it down and disconnect all cables and cords connected to it. Using power cord Never force a connector into a port. Don't put the power cord into your tank when it connected. When you Setup your Light please make sure that it locate power supply where it will not be exposed to any water or moisture.

Mount your power supply where it won't get wet. Include a "drip loop" - a tied loop of cord hanging down below the level of the electrical outlet. That way, if water happens to run down the cord from the tank, it will drip off onto the floor rather than into the outlet. Drip Loops should always be used to help prevent water from traveling along the cord and coming into contact with an electrical outlet. Drip loops must always be below the level of the outlet. If the plug or outlet does get wet, DO NOT TOUCH the cord.

Storing your Light If you are going to store your Light for an extended period of time, keep it in a cool location (ideally, 71° F or 22° C).

When cleaning the outside of your Light, first shut down your Light and unplug the power cord. Then use a damp, soft, lint-free cloth to clean the lamp exterior. Avoid getting moisture in any openings. Do not spray liquid directly on the lamp. Do not use aerosol sprays, solvents, or abrasives that might damage the finish.

MicMol and the Environment

MicMol recognizes its responsibility to minimize the environmental impact of its operations and products.



Warranty

MicMol warrants all MicMol products to be free from manufacturing defects for one year from the original purchase date when purchased through an authorized MicMol retailer. This warranty does not cover any damages caused by misuse, neglect, alterations or improper handling / transport / maintenance / installation. Physical damages are not covered by warranty. MicMol does not cover personal injury, personal loss, or other damages associated with the use of our products. In order to request warranty service, please email us at support@micmol.com. A purchase receipt is required for any warranty service. Products requiring warranty service must be returned to MicMol or authorized MicMol retailer. You are responsible for the cost of shipping a warranty claim to MicMol and any damages that may occur during transit. Once a returned product has been inspected, it will be repaired or exchanged at our discretion and returned to you. Thank you very much.

Warranty Card

Product Name: _____
 Product Model: _____
 Dealer Name: _____
 Dealer Tel: _____
 Purchase Date: _____
 User Name: _____
 User Tel: _____

